

1 **SCALA2 3-45 A**



: [98562862](#)

Grundfos SCALA2 is a fully integrated, self-priming, compact waterworks for pressure boosting in domestic applications.

SCALA2 incorporates integrated speed control enabling the keeping of the perfect pressure at the taps, meaning that the pump performance will increase with increasing demand.

SCALA2 can be installed in three easy steps:

1. Connect the pipes.
2. Prime the pump.
3. Plug the pump into the power outlet and the pump will start.

Grundfos SCALA2 has all the components necessary to ensure a comfortable pressure:

- intelligent controller
- integrated speed-controlled drive
- integrated tank
- integrated sensors
- integrated non-return valves.

As it is self-priming, the SCALA2 is able to pump water from a level below the pump. Provided it is filled with water, the pump is able to lift water from a depth of 8 m in less than 5 minutes. This facilitates easy installation and start-up of the pump and provides more reliable water supply in installations where there is a risk of dry running and leakages in suction hose or pipes.

If exposed to dry running, water shortage or excessive temperature, blocked pump, for example in case of seizure or overload, the pump will stop automatically, thus preventing a motor burnout.

The pump features an automatic reset function. In case of dry running or similar alarm, the pump will stop. Restarting will be attempted every 5 minutes 8 times, there after new restart attempt will occur every 24 hours. The automatic reset function can be deactivated.

Thanks to its hydraulic design, permanent magnet motor and water cooling, the pump is extremely low-noise, 47 dB(A) in typical use, which makes it suitable for indoor as well as outdoor use. Max noise level at full load are 53 dB(A)

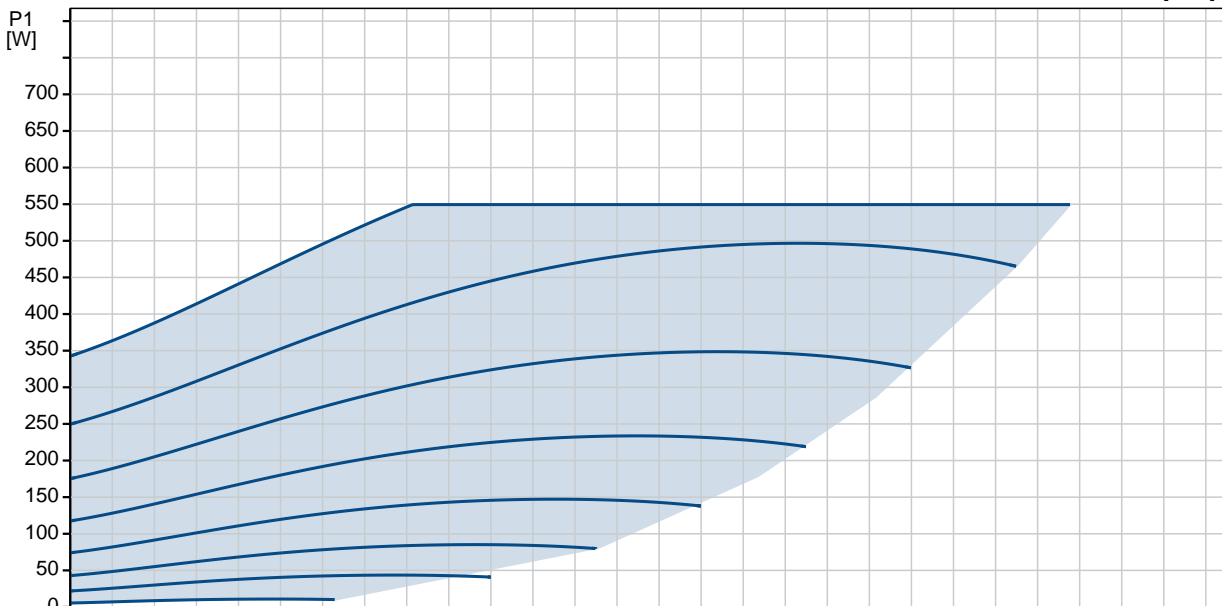
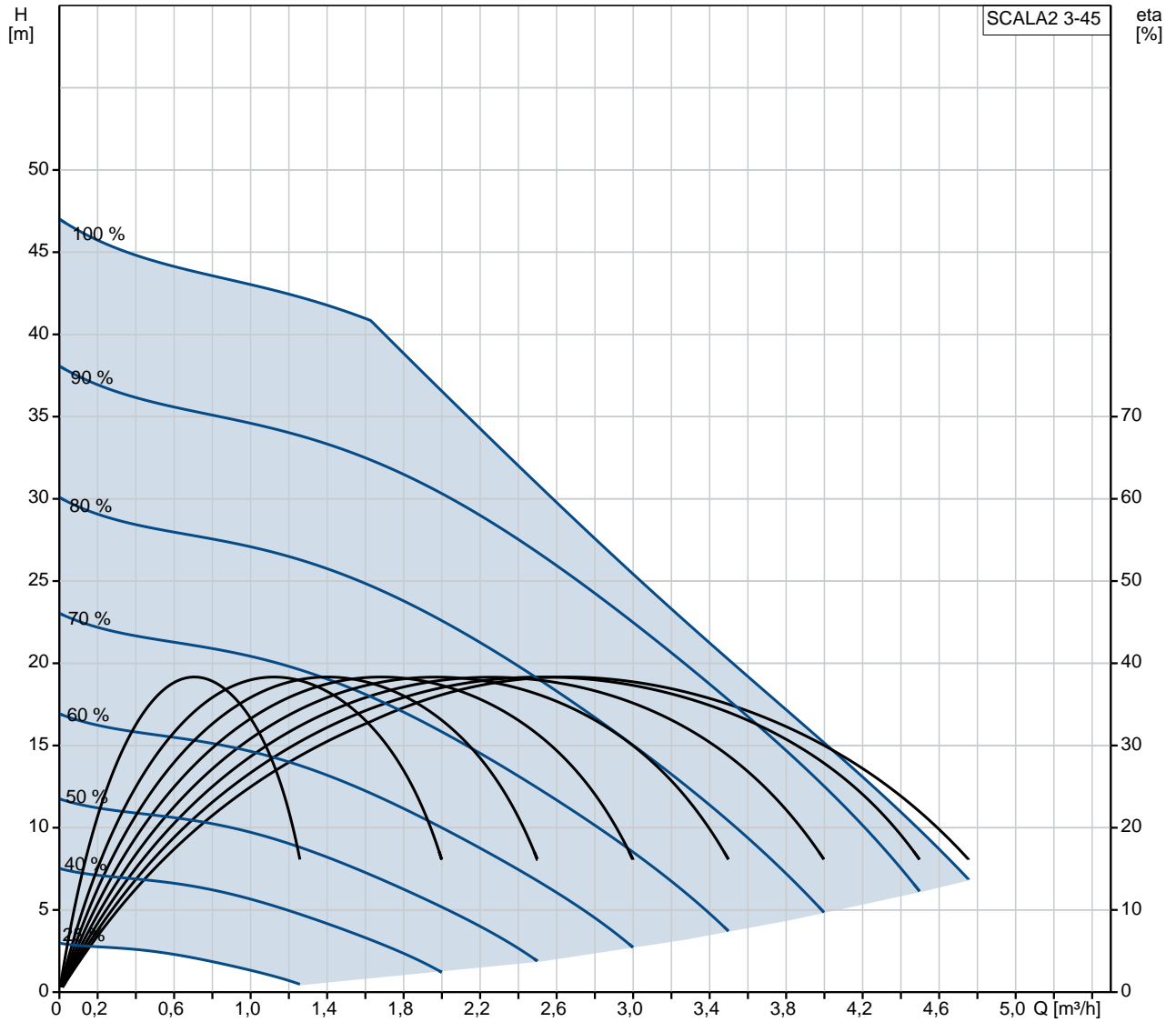
The built-in pressure tank reduces the number of starts and stops in case of leakages in the pipe system, causing less wear on the pump.

SCALA2 require no maintenance, but it is recommended to keep the pump clean, check the non-return valves and keep the ventilation holes free of dust

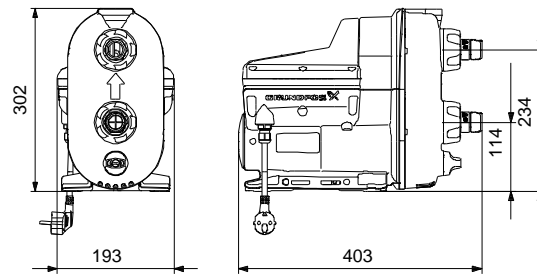
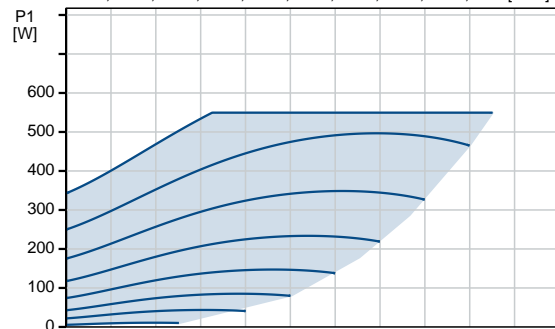
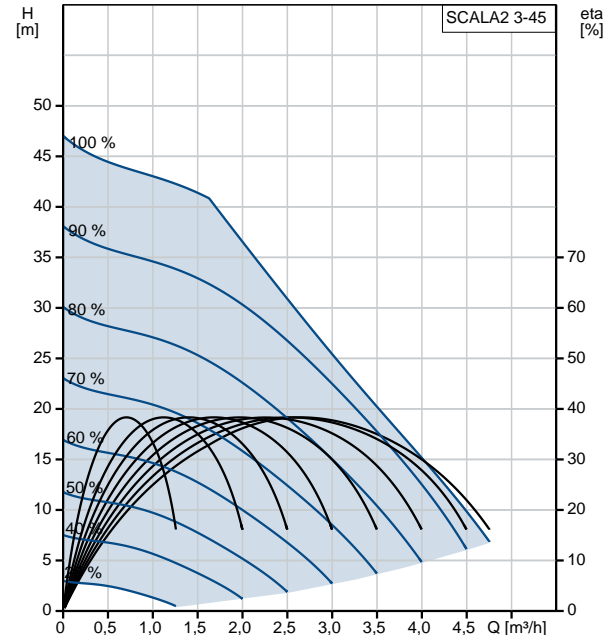
Liquid temperature during operation: 20 °C : 0 .. 45 °C

	:	998.2 kg/m ³
	:	3 m ³ /h
	:	27 m
	:	CARBON/CERAMIC
Approvals on nameplate:	:	CE,VDE,AAA
Approvals for drinking water:	:	WRAS,ACS
	:	ISO9906:2012 3B
	:	NORYL FE1630PW PPE+PS-GS30
	:	NORYL FE1630PW PPE+PS-GS30
	:	0 .. 55 °C
	:	10 bar
Maximum permissible inlet pressure:	:	6 bar
	:	G 1 Composite
	:	550 W
	:	50 Hz
	:	1 x 200-240 V
	:	2.8 A
	:	(IEC 34-5): IPX4D
	:	(IEC 85): F
	:	2 m
Power plug:	:	Type E/F (CEE7/7)
	:	9.55 kg
	:	11.9 kg
	:	0.044 m ³
Storage temperature range:	:	-40 .. 70 °C
Danish VVS No.:	:	VVS NO 385183145
Swedish RSK No.:	:	RSK NO 5931159
Finnish:	:	LVI NO 4732505
Norwegian NRF no.:	:	NRF NO 9040011

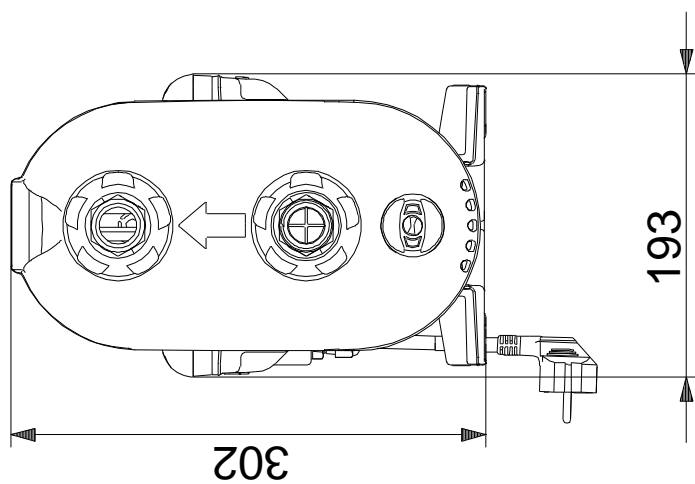
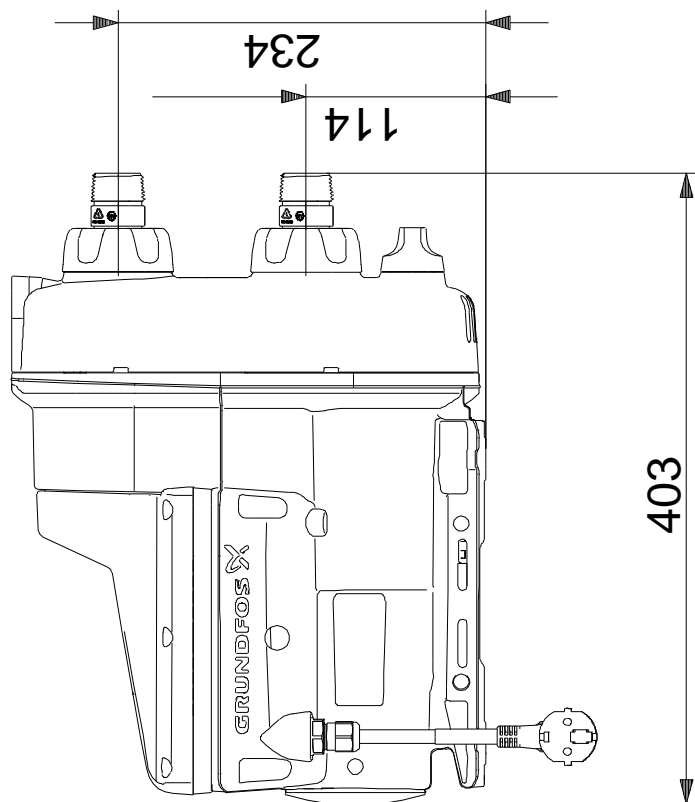
98562862 SCALA2 3-45 50 Hz



SCALA2 3-45 A	
No.:	98562862
EAN	5711497234216
	3 m ³ /h
	27 m
	45 m
	CARBON/CERAMIC
Approvals on nameplate:	CE, VDE, AAA
Approvals for drinking water:	WRAS, ACS
	ISO9906:2012 3B
	A
	NORYL FE1630PW PPE+PS-GS30
	NORYL FE1630PW PPE+PS-GS30
	A
	0 .. 55 °C
	10 bar
Maximum permissible inlet pressure:	6 bar
	G 1 Composite
	0 .. 45 °C
Liquid temperature during operation:	20 °C
	998.2 kg/m ³
	550 W
	50 Hz
	1 x 200-240 V
	2.8 A
	(IEC 34-5): IPX4D
	(IEC 85): F
	2 m
Power plug:	Type E/F (CEE7/7)
	9.55 kg
	11.9 kg
	0.044 m ³
Storage temperature range:	-40 .. 70 °C
Danish VVS No.:	VVS NO 385183145
Swedish RSK No.:	RSK NO 5931159
Finnish:	LVI NO 4732505
Norwegian NRF no.:	NRF NO 9040011



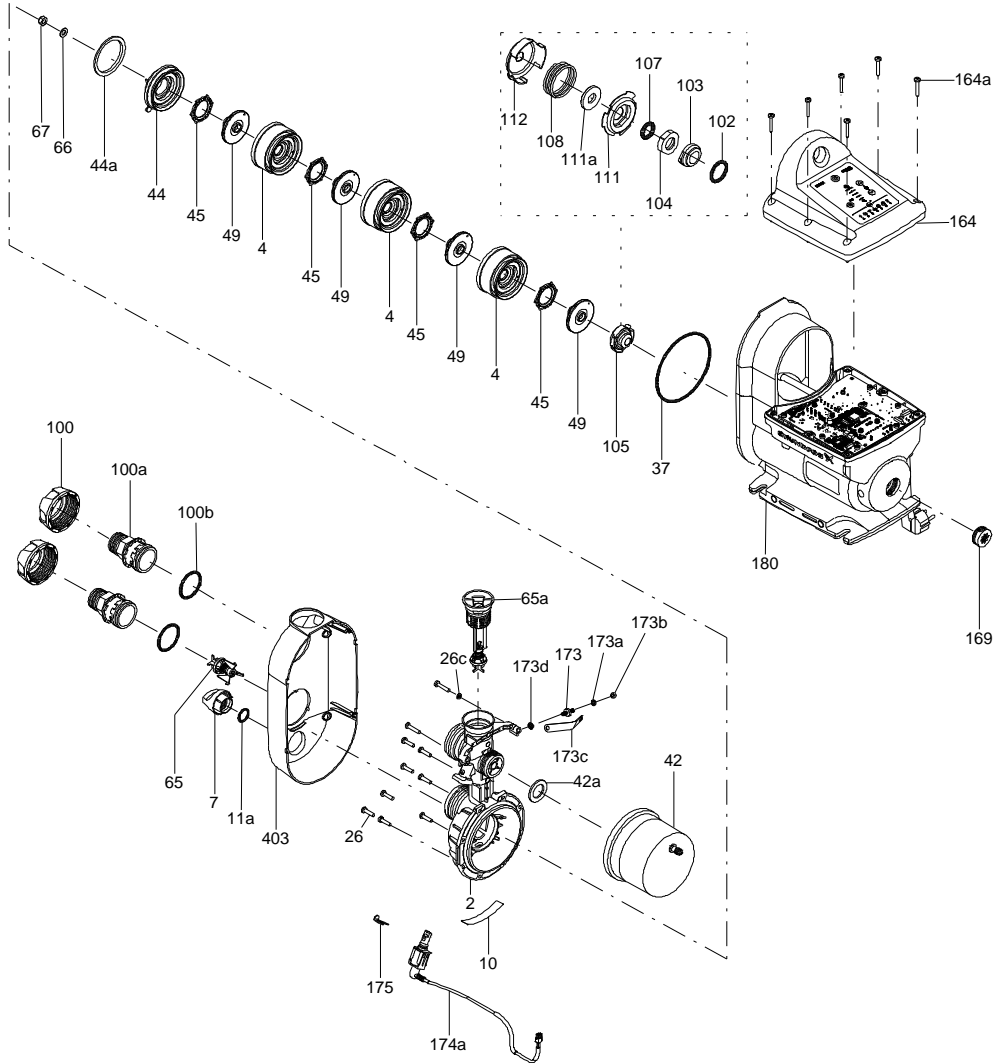
98562862 SCALA2 3-45 50 Hz



!

[mm]

(TM064966 SCALA2)



**SCALA2 3-45,
20.1.2016 (1603)**

98562862

Pos	Description	Annotation	Classification Data	Part no.	Qty.	Unit
-	Kit, connection module			99016047	1	.
2					1	
10					1	
37	-				1	
42a					1	
44a					1	
-	Kit, fitting NPT1			99016015	1	.
100b	-				1	
100a					1	
100					1	
-	Kit, fitting R1			99016013	1	.
100b	-				1	
100a					1	
100					1	
-	Kit, plugs and valves			99016030	1	.
7					1	
11a	-				1	
65a	Non-return valve outlet				1	
65	Non-return valve inlet				1	
-	Kit, pressure tank			99016027	1	.
42a					1	
42					1	
-				99016024	1	.
66					1	
67			: A2 DIN985		1	
			: M8			
-					1	
105						
102	-					
103						
104						
107	-					
108						
111a						
111						
112						
-				99016019	1	.
	-				2	
	-				1	
11a	-				1	
37	-				1	
42a					1	
44a					1	
100b	-				2	
531a					1	
-				99016032	1	.
4					1	
4					2	
37	-				1	
44a					1	
-	44				1	
45						

Pos	Description	Annotation	Classification Data	Part no.	Qty.	Unit
49					4	
66					1	
67			: A2 DIN985		1	
			: M8			
169					1	
- 164				99016058	1	.
164					1	
403				99016053	1	.
7		(10 .)		99016065	1	.
11a		(10 .)		99016066	1	.
104			(10 .)	98277426	1	.